

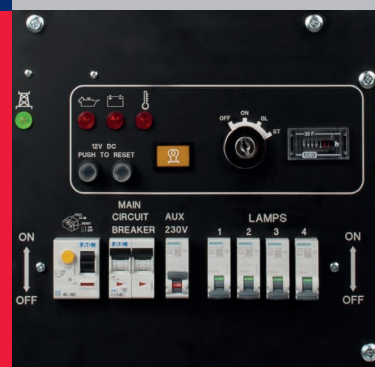
LT 10000 K



Low-consumption LED

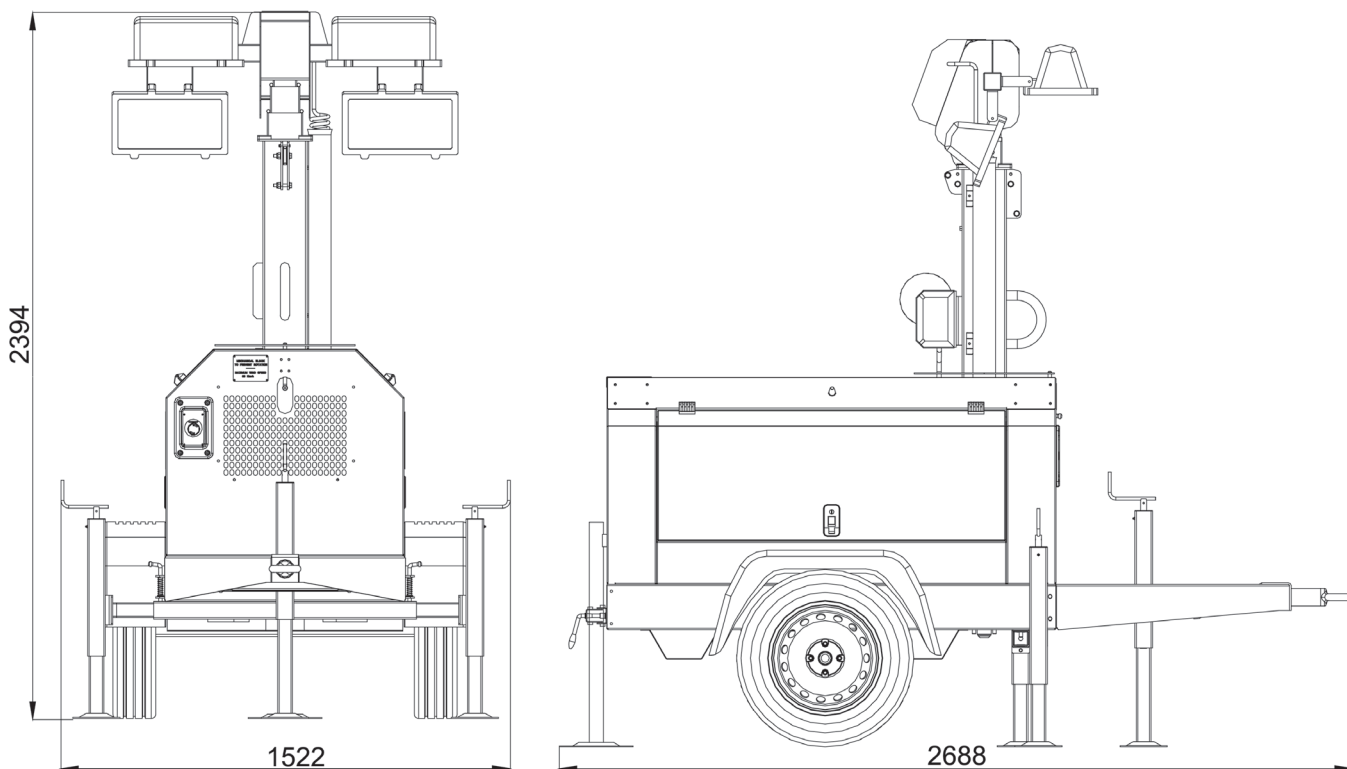
Movable Base

Control Panel



stage5V

Unit of measure: mm



We reserve the right to change data, images and drawings without notice.
For more information, you may contact your local dealer or Mase Generators S.p.A.

Mase Generators spa
Via Tortona, 345 - 47522 - Cesena (FC) - Tel. +39 0547 354311
www.masegenerators.com - commercial@masegenerators.com

mase
GENERATORS
Believing in change.



Max. output power 9 kVA
single-phase

Description

- Silenced lighting tower - Power generator
- Diesel engine 1500 rpm
- 100 lt fuel tank

Standard Features

- Control panel with: hour meter, earth leakage circuit breaker (ELCB), glow plug lamp, lamps switch
- Auto engine protection shutdown system in case of: low oil pressure, battery charger failure, high water temperature
- 230V - 16A EEC single-phase socket protected by circuit breaker
- Warning lights for: low oil pressure, battery charger failure, high water temperature,
- voltage ON
- 12 V battery
- Emergency stop button
- Fuel level gauge
- 8 mt lighting tower (340° rotation) with manual lifting
- 3 stabilizers
- Two-wheels site tow undercarriage (GRT2W)
- Lifting eyes
- Fork lift pockets

Options

- Versions with different voltages
- 60Hz version
- Floodlight with halogen lamps
- Floodlight with 4 x 100, 150, 360 W LED lamps
- Hydraulic lifting
- Engine heater
- Dusk sensor

Accessories on request

- 2 wheels road tow

Noise level

- Lwa 97 (72 dB a 7 mt)

AC generator - 50Hz

- Type: synchronous
- Single-phase power (stand-by): 9kVA - 230V
- Single-phase power (prime): 8kVA - 230V
- Power Factor: $\cos \phi$ 0,8

Diesel Engine 1500 rpm

- Type: Kubota D1105-E - 3 cyl. - 1123 cm³
- Max power: 12,7 hp (9,5 kWm)
- Starting system: electric (12Vdc)
- Cooling system: water
- Fuel consumption @ 75%: 2 lt/h

Other features

- Insulation Class: H
- Ambient temperature: 40 °C (*)
- Altitude: 1000 m (*)
- Mechanical Protection: IP 23
- Fuel tank capacity: 100 lt
- Dimensions (L x W x H): 2688 x 1522 x 2394 mm
- Dimensions in operating conditions (L-W-H): 2688 x 2614 x 8950 mm
- Dry weight: 670 kg

(*) - For altitude and temperature values other than those listed above, please consult the manufacturer to verify the available power.